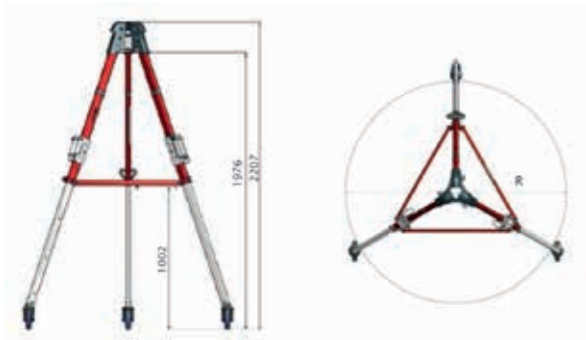


TECHNICAL DATA



Tripod MOBILE – PRO II

Empty weight:	approx. 21,7 kg / approved for 2 people
Max. load:	500 kg
Max. height:	2.207 mm
R max. width:	1.550 mm
Useable working height:	1.976 mm
Transport dimensions:	1.432 x 310 x 305 mm
Material:	Aluminum alloy/steel



Tripod FIXED – ECO II

Empty weight:	approx. 16,1 kg / approved for 2 people
Max. load:	500 kg
Max. height:	2.031 mm
R max. width:	1.500 mm
Useable working height:	1.814 mm
Transport dimensions:	1.304 x 281 x 310 mm
Material:	Aluminum alloy/steel

Tripod MOBILE – PRO II Tripod FIXED – ECO II



Combined tripod and winch:

- Load capacity of up to 500 kg
- High-tensile, anti-twist 5-mm steel cable available from 8 to 30 m
- Integrated load pressure break holds at a min. 25 kg load

Combined tripod and HSRG:

- Suspension point compliant to EN 795: 2012 / TS 16415
- HSRG compliant to EN 360 und EN 1496
- Approved by TÜV-München and BG Bau in accordance with the EC type test certificate as personal protection equipment to prevent falling from great heights

TÜV-certified suspension point Type B to EN 795: 2012 / TS 16415

Specially designed "Easy" attachment enables the MARTIN PSA fall arrest and recovery block to be assembled in a matter of seconds

We reserve the right for technical changes. Every picture is a symbolic and no liability is taken for pictured applications. See user instruction menu!
Lechtaler GmbH taking no liability for improper use and handling.

MARTIN PSA AND ENVIROMENT

We follow in all our production chains ecological processes and environmentally compatible ways of production. All parts are recyclable.

MARTIN PSA

LECHTALER GMBH
Unterlinden 15
6922 Wolfurt | Austria
T +43 (0) 55 74 74 000
office@martin-psa.at
www.martin-psa.at



Presented by:

11/2017

MARTIN PSA

Fall Protection and Rescue Equipment

Tripod MOBILE – PRO II Tripod FIXED – ECO II

CERTIFIED to
EN ISO 9001-2015
CERTIFICATE Nr.
20100163000827

- An intelligent and mobile safety system for securing and rescuing persons.
- Lifting loads up to 500 kg
- Corresponds to EN 795 and TS 16415 and are certified to TÜV/BG.
- Surprisingly light, flexible and compact
- Simple and fast assembly
- Compact fold up
- Developed, designed and produced by MARTIN PSA

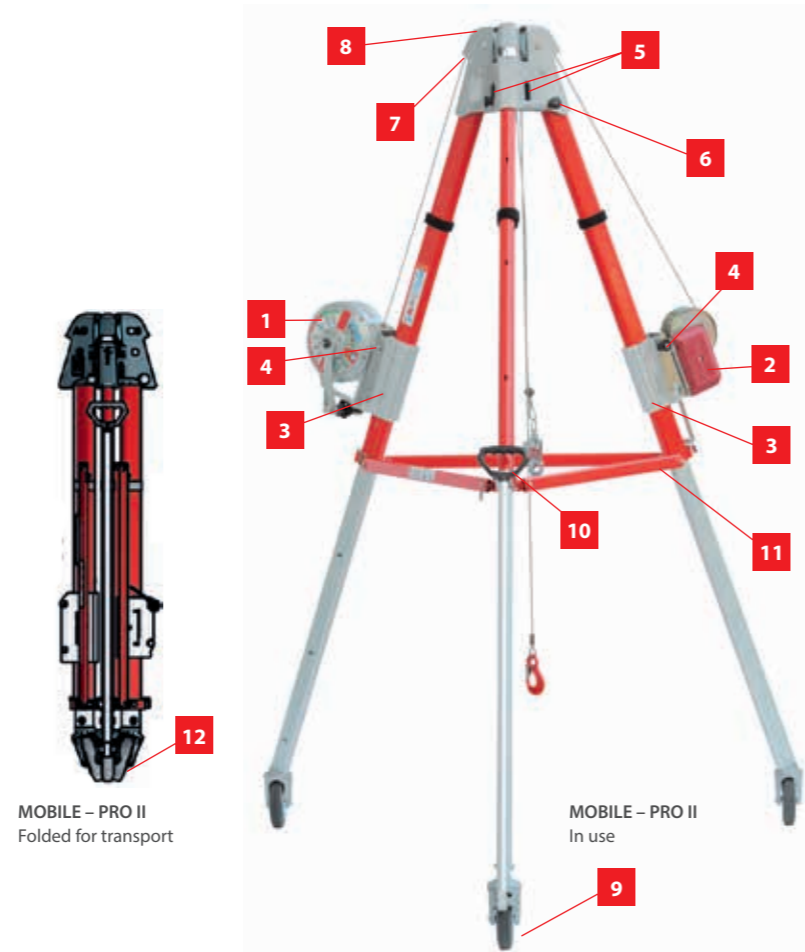
www.martin-psa.at

Our Highlight
compact
flexible
ultra-light



Our new design offers the following benefits:

- 1 Fall arrest and - Personal rescue winch
- 2 With "Easy" adapter
- 3 standardized accessories, user friendly "Easy" adapters for HSRG and material winch
- 4 Secure connecting bolts
- 5 Two additional suspension points (1x person, 1x load)
- 6 Secure locking bolts for tripod system set up
- 7 Integrated roller bearings
- 8 Advanced steel rope guiding system
- 9 Steering wheel with wheel break
- 10 Steering wheel with drawbar
- 11 Horizontal strut with fall bar
- 12 Legs for Modell ECO II
Rolls for Modell PRO II



CONSTRUCTION DETAILS



Secure people



Securing person at manhole entry with HSRG and supervising person



Upright body posture during rescue (use Sling-Set)



Bent body posture and difficult rescue (without Sling-Set)

Rescue people



Rescue with HSRG



Drive off the danger zone



Lay down the rescued person

Lift and transport loads



Loosen, lift and drive of manhole covers (max. 500 kg) with winch



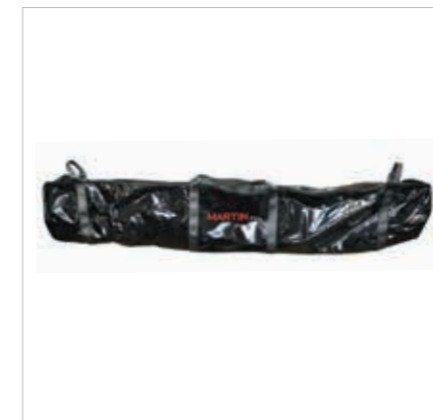
Lift a pump with chain gripper

MARTIN PSA
Design
Construction
Manufacture

FURTHER ADVANTAGES

- Clear and functional design
- Reinforced torsion-resistant aluminum profile
- No line suspension in floor area needed (no trip hazard)
- More working height
- Full "Easy" adapter compatibility to all MARTIN PSA models
- Less cost for maintenance and spare parts

CARRIER BAG



For Tripod Mobile-PRO II and Fixed-ECO II

Carrier handles at center back and front

Zip lock

Inner compartment for material winch

Robust and practical gear carrier and storage

Ident-Nr. 67012 Carrierbag Athlet-ECO